

Cover plate for the concealed WC cistern made by TeCe - Brushed Durabrass (23kt Gold)

IMO

12 660 979



- cover plate 150 x 240 x 15 mm
- flush handle with rotary operation and two-volume technology (full flush/partial flush)

**This product is compatible with the following TECE products:**

- TECEprofil dry wall construction, article numbers: 9300300, 9300322, 9300301, 9300344, 9300309, 9300303, 9300388, 9300366, 9300102, 9300103
- TECEbox wet wall construction, article numbers: 9370300, 9375300, 9371300

Fits: IMO, LULU, MADISON, MEM, TARA, CL.1, LISSÉ, VAIA, META, CYO

|   |                               |               |
|---|-------------------------------|---------------|
|    | Brushed Durabrass (23kt Gold) | 12 660 979-28 |
|    | Chrome                        | 12 660 979-00 |
|    | Brushed Platinum              | 12 660 979-06 |
|    | Platinum                      | 12 660 979-08 |
|    | Dark Chrome                   | 12 660 979-19 |
|    | Light Gold                    | 12 660 979-26 |
|    | Brushed Light Gold            | 12 660 979-27 |
|    | Matte Black                   | 12 660 979-33 |
|    | Brushed Bronze                | 12 660 979-42 |
|   | Brushed Champagne (22kt Gold) | 12 660 979-46 |
|  | Champagne (22kt Gold)         | 12 660 979-47 |
|  | Brushed Chrome                | 12 660 979-93 |
|  | Brushed Dark Platinum         | 12 660 979-99 |

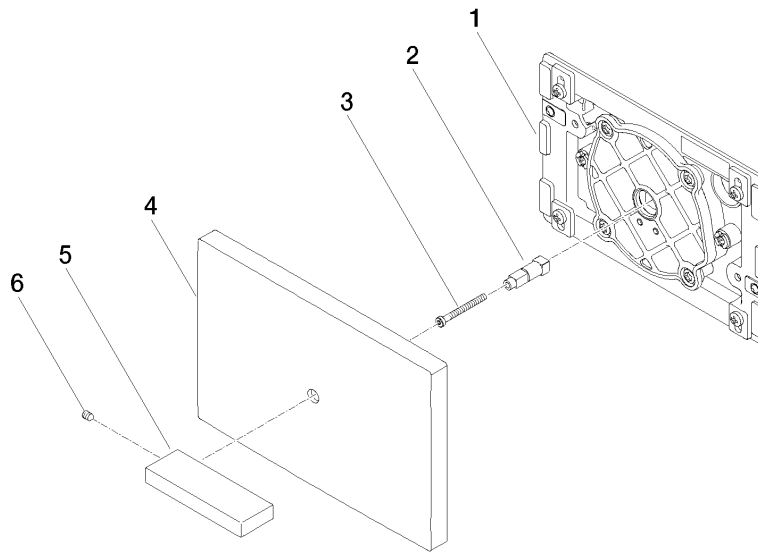
Cover plate for the concealed WC cistern made by TeCe - Brushed Durabronze  
(23kt Gold)

IMO

12 660 979  
mm [inches]



12 660 979  
Parts for other  
finishes can be found  
here: Chrome



### Spare parts list

| No.  | Item Number        | Name   | Quantity used | Delivery time |
|--|--------------------|--------|---------------|---------------|
| 1  | 04 28 01 053 00 90 | plate  | 1             | 2             |
| 2  | 09 18 20 038 90    | base   | 1             | 2             |
| 3  | 09 30 30 086 90    | screw  | 1             | 2             |
| 4  | 09 11 01 179-28    | cover  | 1             | -             |
| Spare part can no longer be ordered, please order the replacement item |                    |        |               |               |
| 5  | 09 20 97 057-28    | handle | 1             | 20            |
| 6  | 09 31 11 058 90    | pin    | 1             | 2             |